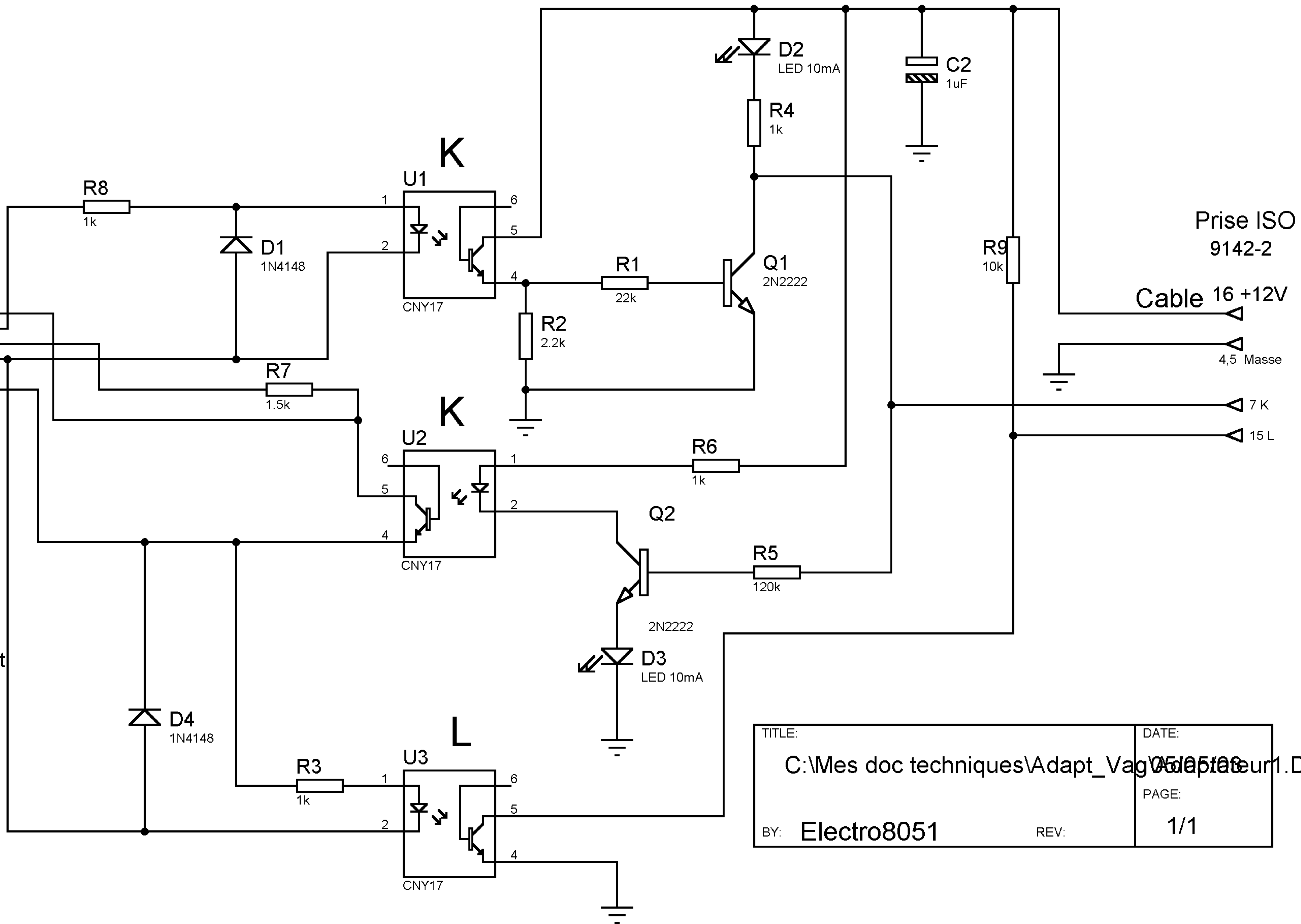


DB9 Femelle vers PC
C1
DB9FCHASSIS

V24 PC

4 DTR +10V/soft
2 RX
3 TX
5 GND
7 RTS -10V/soft



Prise ISO
9142-2

Cable 16 +12V

4,5 Masse

7 K

15 L

TITLE:	DATE:
C:\Mes doc techniques\Adapt_Vag\Adaptateur1.DSN	05/05/08
BY: Electro8051	REV:
	PAGE:
	1/1