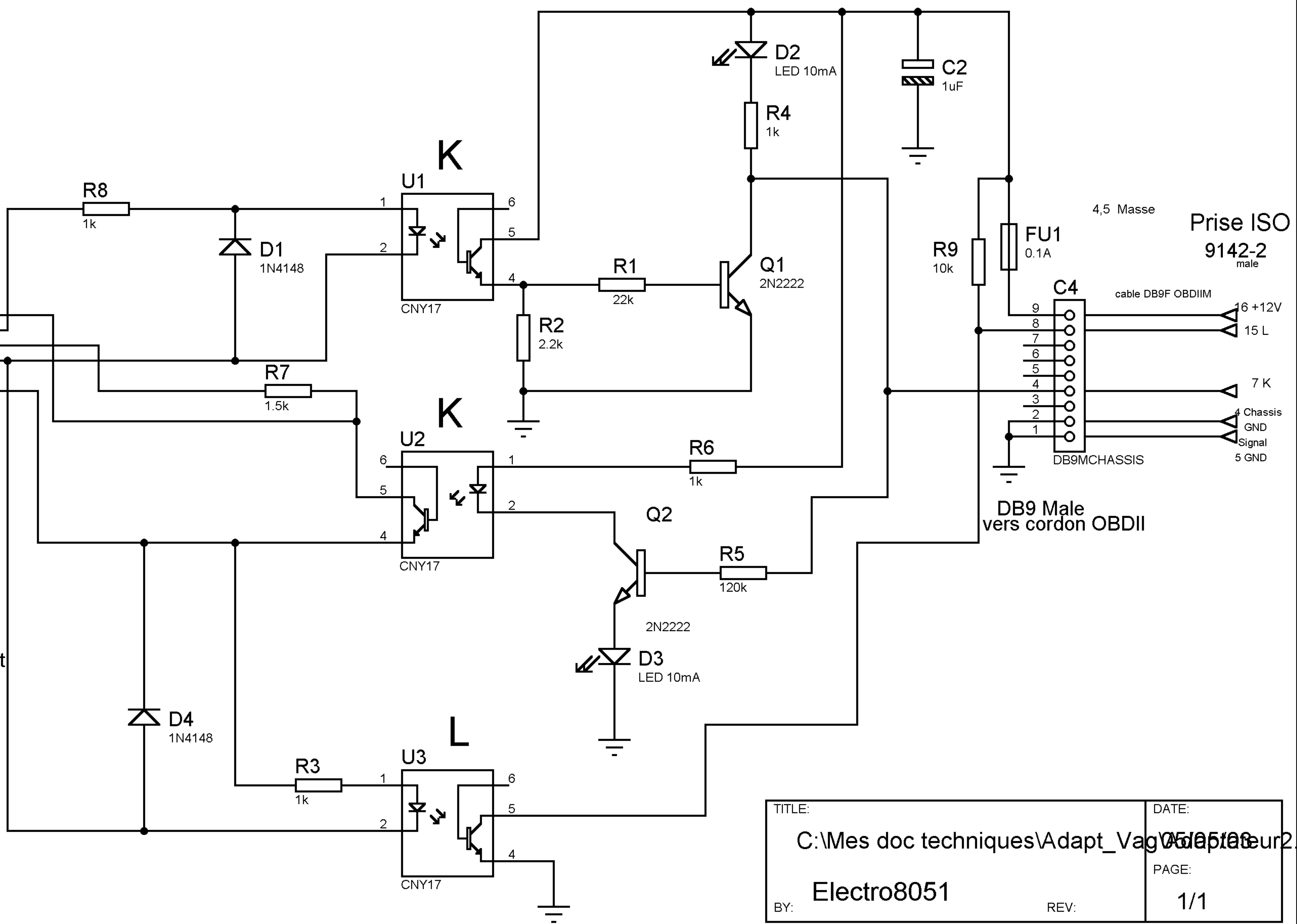


V24 PC  
4 DTR +10V/soft  
2 RX  
3 TX  
5 GND  
7 RTS -10V/soft



|  |          |
|--|----------|
| TITLE:   | DATE:    |
| C:\Mes doc techniques\Adapt_Vag\Adaptateur2 DS | 05/05/08 |
| BY:  | PAGE:    |
| Electro8051                                    | 1/1      |
| REV:   |          |