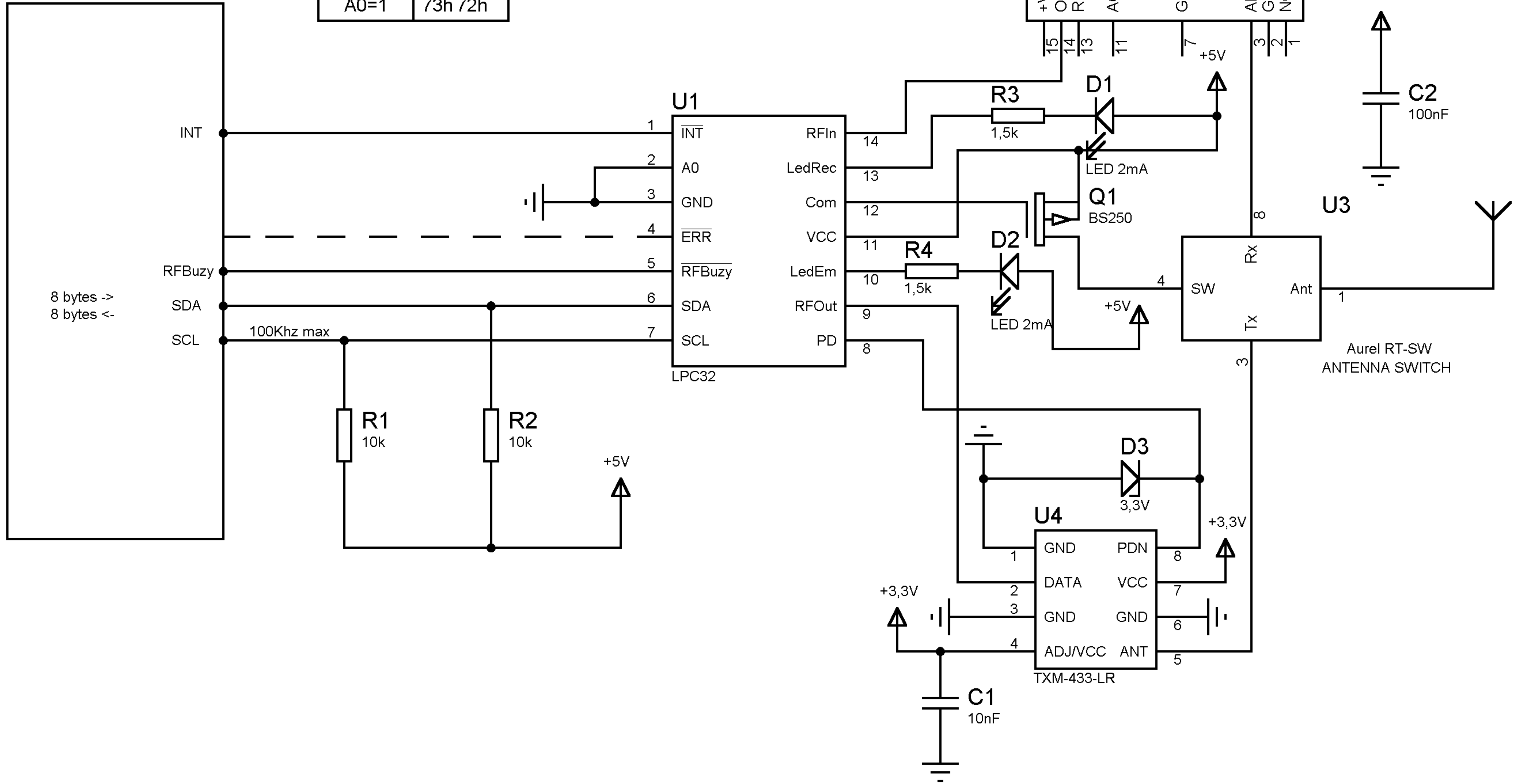


Master I2C

| Adresse I2c | RD WR |
|-------------|---------|
| A0=0 | 71h 70h |
| A0=1 | 73h 72h |



| | |
|--------------|----------|
| TITLE: | DATE: |
| C:\LPC32.DSN | 01/12/07 |
| ELECTRO8051 | PAGE: |
| BY: | 1/1 |
| REV: | |